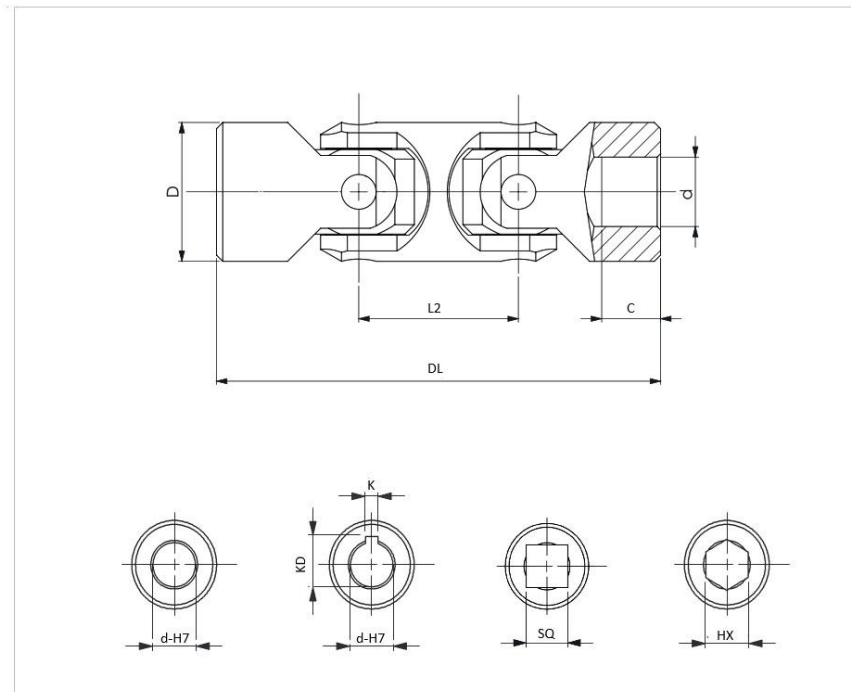


## DOUBLE JOINT



Code	d-H7	D	DL		L2	K x KD	S-H8	H-H8	Weight
			Length	On Request					
-	Bore	Dia			-	Width x Deep	Square Bore	Hex Bore	KG
D-16	6	16	62	90	22	2 x 9	8	8	0.08
D-22	10	22	74	100	26	3 x 11.4	10	10	0.15
D-25	12	25	86	110	30	4 x 13.8	12	12	0.25
D-28	14	28	96	120	36	5 x 16.3	14	14	0.4
D-32	16	32	104	130	36	5 x 18.3	16	16	0.45
D-36	18	36	114	140	40	6 x 20.8	18	18	0.7
D-42	20	42	128	155	46	6 x 22.8	20	20	1
D-45	22	45	145	170	50	6 x 24.8	22	22	1.55
D-50	25	50	163	190	55	8 x 28.3	25	25	2
D-58	30	58	195	220	68	10 x 35.3	30	30	3
D-70	35	70	212	240	72	10 x 38.3	-	-	4.75
D-80	40	80	245	270	85	12 x 43.3	-	-	7.2
D-95	50	95	290	315	100	14 x 53.8	-	-	12

### Ordering Example:

D - 32 - 16 - 104 - K

↓   ↓   ↓   ↓   ↓

Double Dia   Bore   Length   Keyway

Type	Dia	Bore	Length	Profile
D	32	16	104	K

